

## Antenna barriers

# M SERIES



Solexy's M series is a multichannel intrinsically safe barrier for RF signals (Pat. Pending). The M series is designed for installation in safe, not classified, area in combination with antennas installed in hazardous location.

An integrated blocking circuit prevents hazardous energy reaching the antenna if a radio, modem or access point failure occurs. It also allows for antenna removal in hazardous areas and the use of standard coax cable to remote mount them.

The antenna barrier's compact design reduce the space required inside the enclosure and can be matched with practically any radio and antenna. It is a highly flexible and cost effective solution for hazardous area radio system deployment.



## FEATURES

- ✔ **SHORT CIRCUIT PROTECTION**  
Includes integrated blocking circuitry.
- ✔ **MULTIPLE CHANNELS, ONE DEVICE**  
Standard layout with 4 barriers, available on request for up to 7 different antenna connections into one single compact device.
- ✔ **CERTIFICATION**  
The M Series is certified Atex, IECEx and for USA&Canada as an apparatus, and can be installed per the conditions of acceptability, without further assessment.  
North America approval (USA&Canada) includes class & divisions and zones.  
IECEx certification is issued from an Australian notified body therefore M series can be installed in Queensland mines.
- ✔ **FLEXIBILITY**  
Permits a wide variety of passive antennas to be installed in hazardous areas. Antennas may be removed and/or installed with power on.
- ✔ **EXTENDED FREQUENCY RANGE**  
The M series covers a wide range of frequencies with only one version, starting from 300 MHz going up to 9 GHz with nearly a flat loss curve.
- ✔ **MOUNTING**  
Device available with wall mount design as standard and DIN rail mount on request.

## NOMENCLATURE

<b>a</b>	<b>Antenna Side Connector</b>
F	RP-SMA Female
S	SMA Female
N	N Female
<b>b</b>	<b>Enclosure</b>
P	Plastic and stainless steel
V	Plastic and stainless steel with Din Rail mounting
<b>cc</b>	<b>Radio Side Connector</b>
02	RP-SMA Female (M4F only)
04	SMA Female (M4S only)

<b>M</b>	<b>4</b>	<b>F</b>	<b>0</b>	<b>P</b>	<b>02</b>	<b>00</b>	<b>H</b>	<b>XN</b>
		<b>a</b>		<b>b</b>	<b>cc</b>		<b>d</b>	<b>ee</b>

<b>d</b>	<b>Version (frequency range)</b>
H	optimized from 300 MHz to 9 GHz
*	For specific range for particular applications contact us
<b>ee</b>	<b>Approval</b>
N0	USA&Canada apparatus (Class&Divisions and Zones)
X0	IECEx and ATEX apparatus
XN	IECEx, ATEX, USA&Canada apparatus

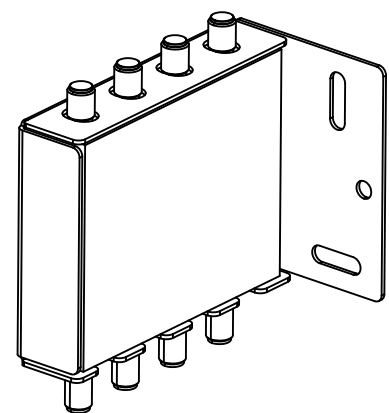
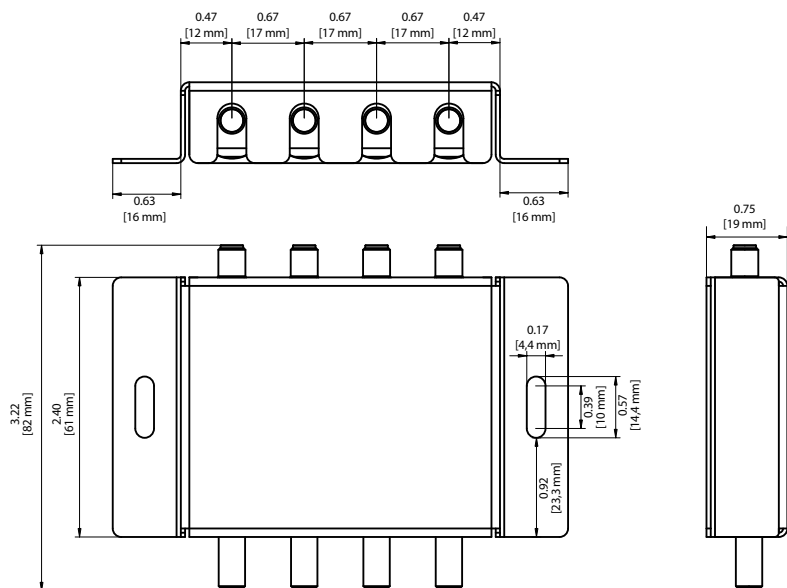
# SPECIFICATIONS

<p><b>ATEX certification</b> nr. TÜV CY 18 ATEX 0206158 X</p> <p>Standard Ref.</p> <p><b>IECEX certification</b> nr. IECEX MSC 19.0001X</p> <p>Standard Ref.</p> <p><b>USA &amp; Canada certification</b> cQPSus LR1504-3</p> <p>Standard Ref.</p> <p><b>Maximum Fault Voltage</b></p> <p><b>Typical Insertion Loss @ 20°C (dB)</b></p>	<p><b>Ex</b> I (M1) [Ex ia Ma] I II (1) G [Ex ia Ga] IIA/IIB/IIC II (1) D [Ex ia Da] IIIC</p> <p>EN 60079-0, EN 60079-11</p> <p>[Ex ia Ma] I [Ex ia Ga] IIA/IIB/IIC [Ex ia Da] IIIC</p> <p>IEC 60079-0, IEC 60079-11</p> <p>Associated Apparatus for installation in non-hazardous locations Class I, Zone 1, [AEx ia Ga] IIA/IIB/IIC Zone 21, [AEx ia Da] IIIC [Ex ia Ga] IIA/IIB/IIC [Ex ia Da] IIIC [Ex ia Ga] CI I, Div 1, Groups ABCD [Ex ia Da] CI II, Div 1, Groups EFG</p> <p>CAN/CSA C22.2 No. 60079-0    UL 60079-0 CAN/CSA C22.2 No. 60079-11    UL 60079-11 CAN/CSA C22.2 No. 60950-1    UL 60950-1 UL 508</p> <p>250VDC, 250VAC 50-60Hz</p>
---------------------------------------------------------------------------------------------------------------------------------------------------------------------------------------------------------------------------------------------------------------------------------------------------------------------------------------------------------	--------------------------------------------------------------------------------------------------------------------------------------------------------------------------------------------------------------------------------------------------------------------------------------------------------------------------------------------------------------------------------------------------------------------------------------------------------------------------------------------------------------------------------------------------------------------------------------------------------------------------------------------------------------------------------------------------------------

Frequency	433 MHz	900 MHz	1.9 GHz	2.4 GHz	3 GHz	3.5 GHz	4.6 GHz	5.8 GHz	6 GHz	7 GHz	8 GHz	9 GHz
H version	-1.2	-0.8	-0.5	-0.4	-0.9	-1	-0.5	-1.1	-0.9	-1.1	-1.7	-2.8

<p><b>Approximate Weight</b></p> <p><b>Impedance</b></p> <p><b>Max RF Input</b></p> <p><b>Ambient Temperature Range</b></p>	<p>0.25kg (55.2 lb)</p> <p>50 Ω</p> <p>7W (38.4 dBm)</p> <p>-40°C (-40°F) to +85°C (+185°F)</p>
-----------------------------------------------------------------------------------------------------------------------------	-------------------------------------------------------------------------------------------------

## DIMENSIONAL DRAWINGS [inches]



Execution for DIN rail available on request

Data contained in this specification are subject to change without notice